

# Mechanical Engineering

2016-2017 Flowsheet, Rev 03/21/16

For planning purposes only; the MSU catalog displays official degree and prerequisite requirements.

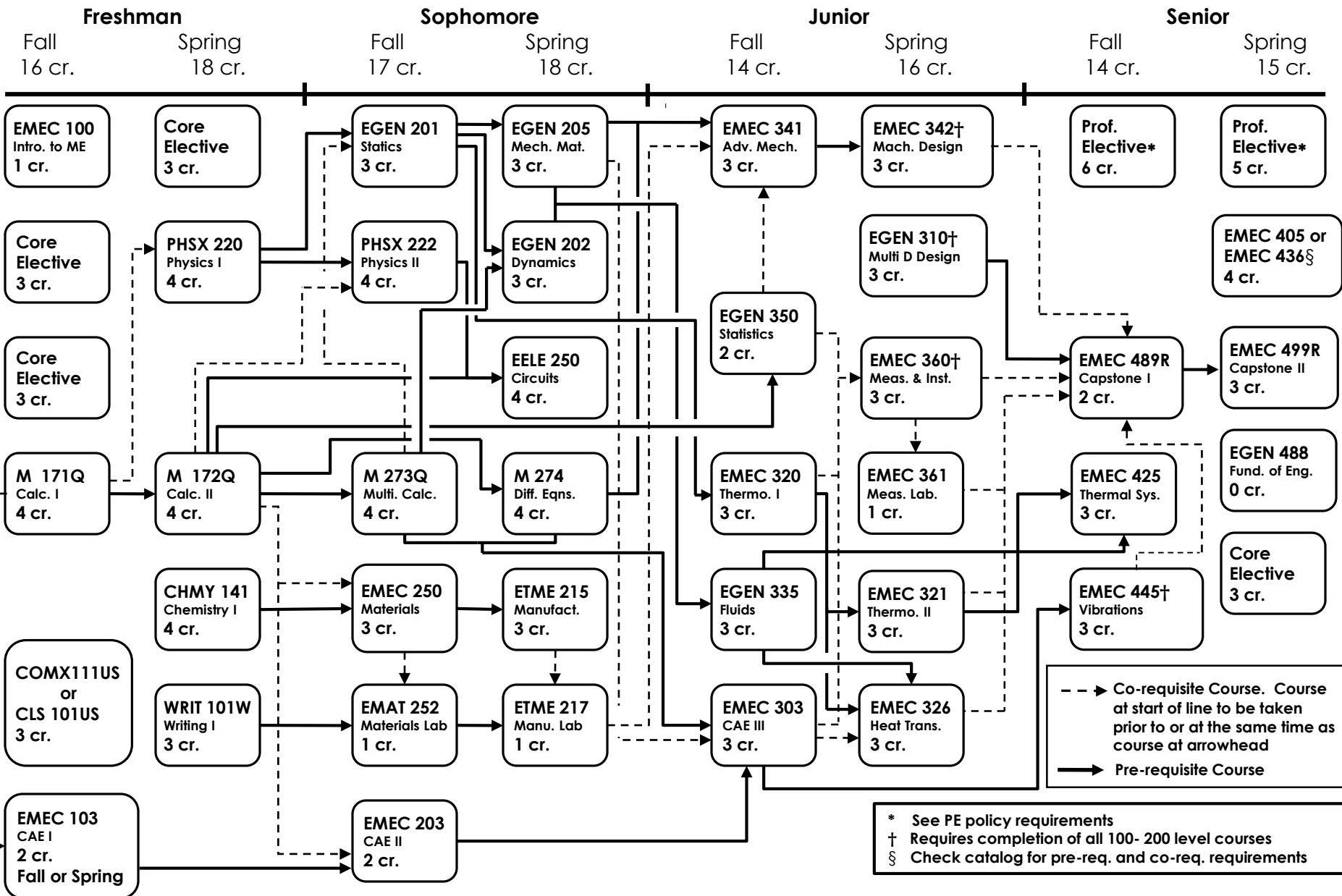
**Coding:**

- X – Completed (C- or better)      Cross out box
- E – Currently Enrolled            Put E in box
- O – Proposed Enrollment          Circle box
- Blank – Leave Remaining Courses Unmarked

Name: \_\_\_\_\_

GID# \_\_\_\_\_

Advising for : Term \_\_\_\_\_ Year \_\_\_\_\_



Name \_\_\_\_\_

Phone # \_\_\_\_\_

E-Mail \_\_\_\_\_

I certify that the information provided on both sides is complete, and that co-requisites and prerequisites will be met for the courses that I will be taking.

Student Signature: \_\_\_\_\_

Advisor Approval: \_\_\_\_\_

Date: \_\_\_\_\_

**Professional Electives – ME Majors**

15 Credits Required (5 courses) – See ME Professional Electives Policy Sheet for Details

Course	Credit	Grade
1.		
2.		
3.		
4.		
5. Required (EMEC 405 or EMEC 436)		

Notes:

---



---



---



---



---



---



---



---



---



---

**Certification for Graduation**

Advisor \_\_\_\_\_ Date \_\_\_\_\_

Core Certifying Officer \_\_\_\_\_ Date \_\_\_\_\_

Dept. Certifying Officer \_\_\_\_\_ Date \_\_\_\_\_

<u>Diversity (D)</u> Course	3 Credit minimum	Grade ≥ C-	Semester/ Year

<u>Inquiry-Humanities (IH or RH)</u> Course	3 Credit minimum	Grade ≥ C-	Semester/ Year

<u>Inquiry-Social Sci. (IS or RS)</u> Course	3 Credit minimum	Grade ≥ C-	Semester/ Year

<u>Inquiry-Arts (IA or RA)</u> Course	3 Credit minimum	Grade ≥ C-	Semester/ Year