

Materials list:

36 - 1 1/2" Dry Wall Screws
 24 - 1 1/2" Dry Wall Screws

2x4's: 3 ea. 78" outer joists
 1 ea. 75" center joists
 4 ea. 49" legs
 4 ea. 35" side beams
 2 ea. 59" side braces
 1 ea. 86 1/16" back brace

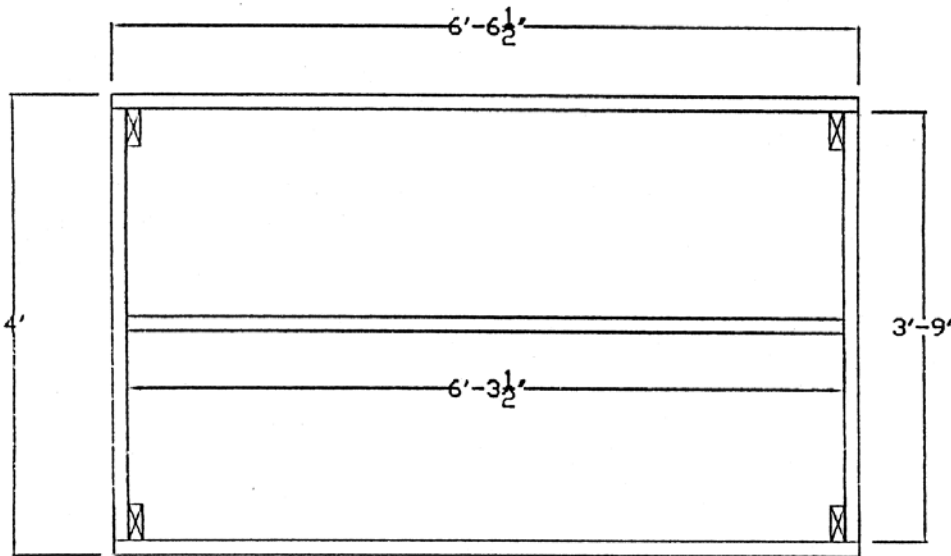
1 ea. 3'2" x 6' 6 1/2" 1/2" OSB

Equipment Needed:

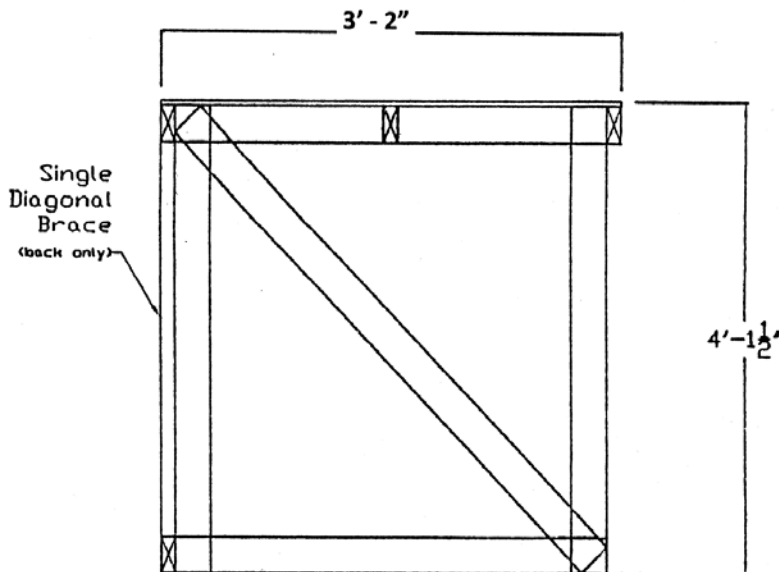
Skil or Hand Saw
 Drill w/Phillips Head
 Measuring Tap

Loft plans have been designed to fit a standard Roskie Hall room. Some rooms have modified facilities and unique measurements. Please MEASURE actual space for the bed in the room prior to purchasing or preparing lumber for the loft.

Note: Specific room tours are offered during orientation sessions.



Plan



Elevation

Loft Plans
 for Roskie Hall.

Montana State University Department of Residence Life			
NO	PLANS	NO	1 of 1
DATE	Kent Molin	NO	