

Materials List:

36- 2½" Dry Wall Screws
24- 1½" Dry Wall Screws

2x4's: 3@86" outer joists
1@83" center joist
4@40" side beams
4@45" legs
2@54" side braces
1@95" back brace

1-43"x86" ½" OSB

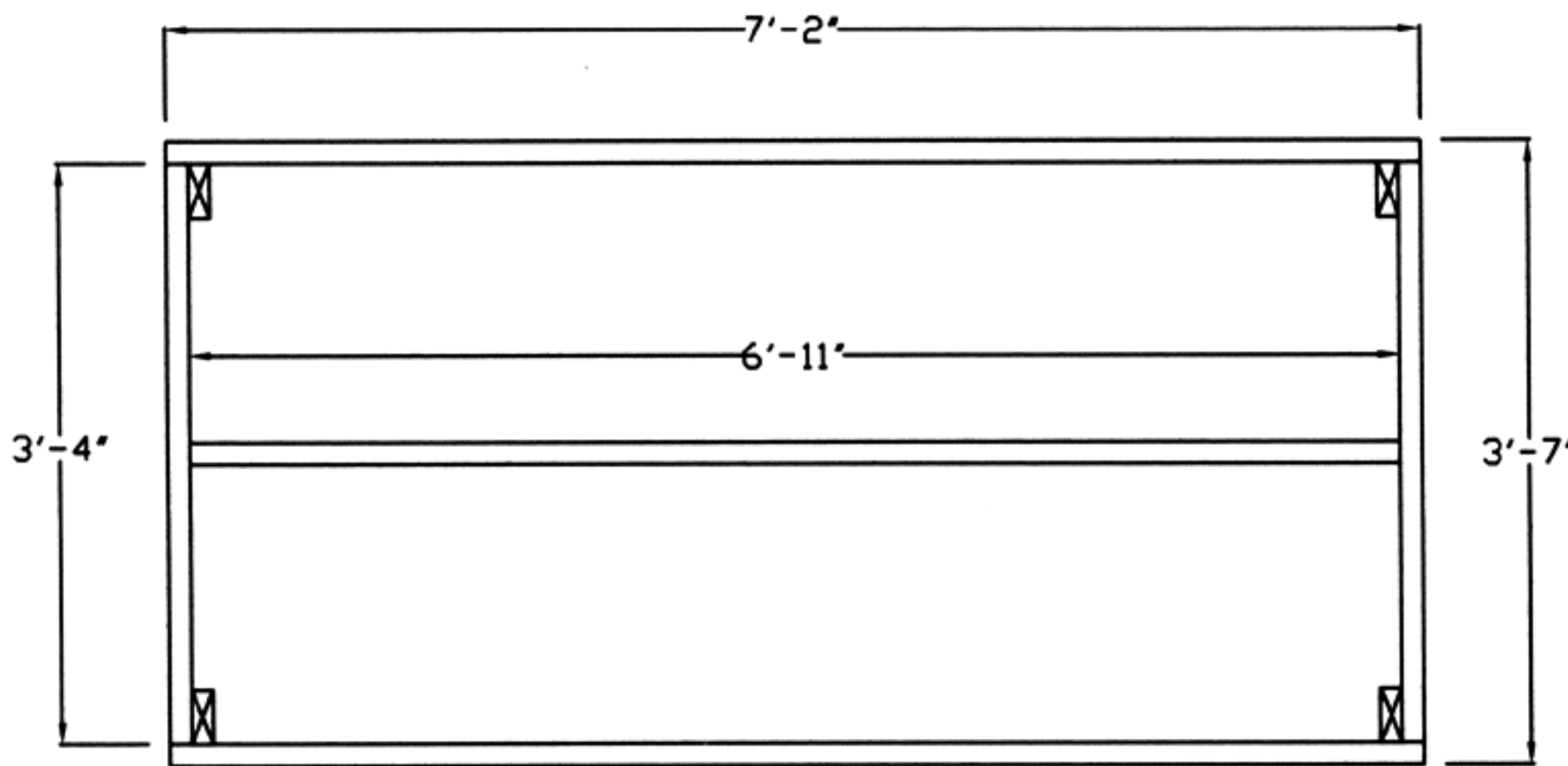
Equipment:

Skil or Hand Saw
Drill w/ Philips Head
Measuring Tape

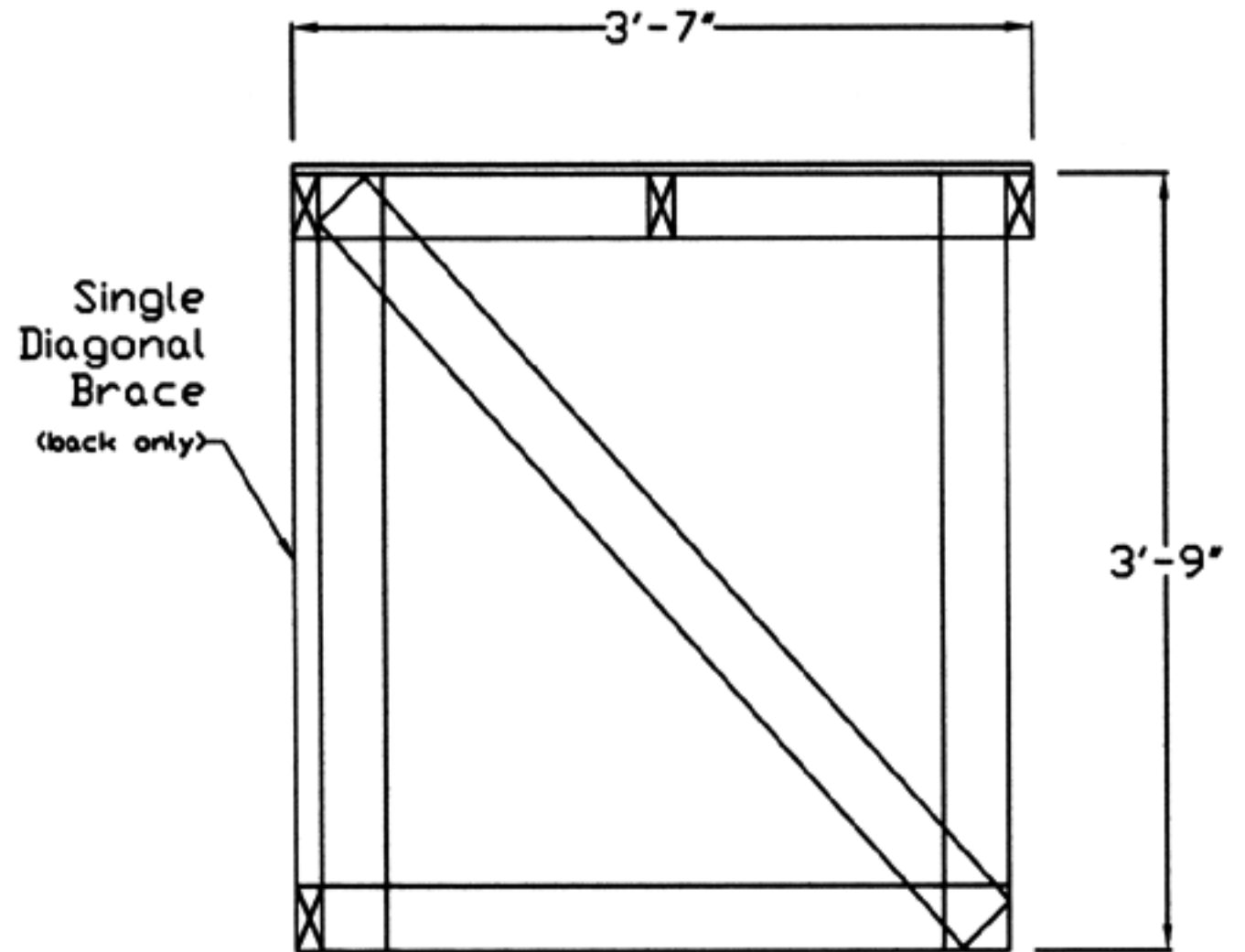
Loft plans have been designed to fit a standard Residence Hall room. Some rooms have modified facilities and unique measurements. Please MEASURE actual space for the bed in the room prior to purchasing or preparing lumber for the loft.

Note: Specific room tours are offered during orientation sessions.

DATE		DESCRIPTION		BY		APPROVED	



Plan



Elevation

Loft Plans for North Hedges, South Hedges, Johnstone, Mullan, Langford, Hannon, and Hapner Halls.

Montana State University Department of Residence Life			
August 14, 2004			
		1 of 1	
	Kent Molin		

8 7 6 5 4 3 2 1

D

D

C

C

B

B

A

A

8 7 6 5 4 3 2 1